

**Brandt**

**Brandt** BUILT-IN CATALOGUE



**BUILT-IN  
CATALOGUE**

本公司將不斷提升各型號之規格，以上產品資料與設計或有更改，恕不另行通知。  
In order to improve our products, the above mentioned specifications and designs are subject to change without prior notice.



**Brandt**

# Brandt



**Brandt** understands that life can get complicated, so we've created products specifically designed to:

Make Life Simple



BYCert.6011825

Brandt has been granted the "**Origine France Garantie**" label by the Pro France association for all products made in its French manufacturing plants. This label, certified by **Bureau Veritas**, assures consumers that the product in question was made in France.



# CONTENT

▣ OVENS	03
▣ MICROWAVE OVENS	08
▣ STEAM OVENS	12
▣ INDUCTION HOBS	14
▣ HOODS	21

***Brandt***

# OVENS



- |                |                  |                 |  |         |             |
|----------------|------------------|-----------------|--|---------|-------------|
| Autocook       | Circulating Heat | Fan Bottom      | Keep Warm                              | Pyro    | Traditional |
| Variable Grill | Pyro Express     | Traditional Fan | Recipes                                | Eco     | Grill Fan   |
| Clean 39'      | Hydrolyse Clean  | Clean           | <b>Quick &amp; Easy Steam Assisted</b> |         |             |
|                |                  | White Meat      | Fish                                   | Poultry |             |

# DESIGN, FUNCTIONALITY AND PERFORMANCE

## UNITED AS ONE

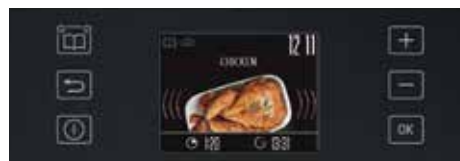
This collection is marked by Brandt's passion for design, research and rigorous attention to detail.

Sleek and refined, the seamless melding of glass to metal and the clean, sophisticated lines thrill aesthetic sensibilities.



## INTUITIVE INTERFACE

Cooking modes and programme feedback are displayed against a Full Colored TFT screen or white backlight panels selected via sensitive touch controls. Electronic programming ensures precise temperature control in every function.



## “ OVENS RANKED A+, MADE IN FRANCE

All Brandt pyrolytic ovens are rated A+, demonstrating excellent insulation and exceptionally controlled management of heating temperatures which contributes to significant energy saving. ”

## TASTE THE DIFFERENCE

quattro  
**PULSE** 

**Brandt reinvents cooking** with our extensively researched heat diffusion technology, Quattro Pulse and patented grill! Injection of heated air into the cavity is accelerated for uniform temperature within the cavity to ensure that cooking quality is perfectly consistent on all levels for excellent results.



## OMEGA GRILL

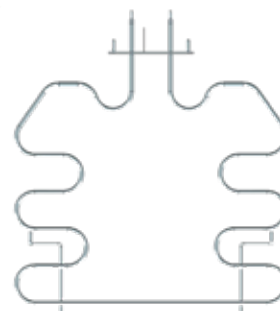
Enjoy perfectly uniform cooking with the Brandt exclusive Omega Grill - precisely crafted to ensure your cooks and bakes turn out beautifully every time.



With Omega Grill



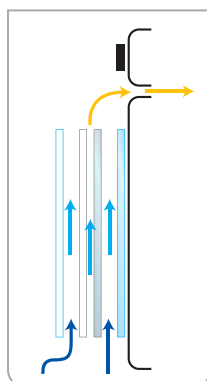
Without Omega Grill



## CLEAN & SAFE

### COOL DOOR

With 4 layers of glass panes, it ensures your oven door surface is always kept cool throughout cooking and pyrolysis cleaning.



### CLEAN 39'

**CLEAN  
39'**

Ultra fast and 50% more economical, this function uses residual heat from the previous cooking cycle to pyroclean the cavity in 39 minutes flat.

### PYROLYSIS CLEANING

This is the simplest, most efficient and economical type of cleaning. At high temperatures, oven self cleans greasy build up after successive uses and restores the cavity to look as good as new.

With 3 different Pyro cleaning cycles to choose from, Brandt pyrolytic ovens give you the flexibility for your everyday cleaning needs.

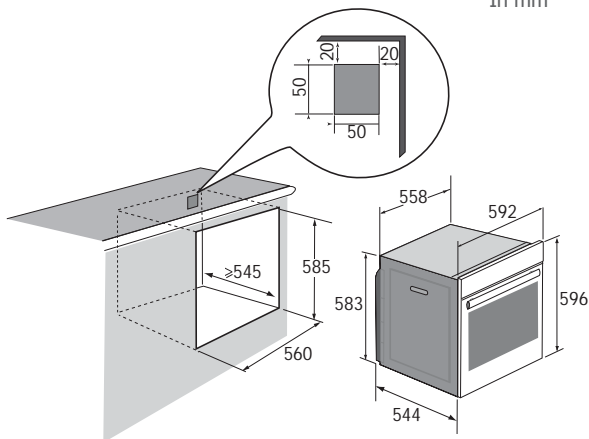


## BOP7568LX

- **60cm Multifunction+ Oven**
- **73L with 6 Shelf Levels + Telescopic**
- **Clean 39'**
- **4 Cooking Modes - Expert, Recipes, Steam Assisted Recipes, Autocook**
- **3 x Pyrolytic Cleaning Programs**
- **Autocook Program**
- Quattro Pulse Technology
- Electronic Touch with Full Color
- TFT LCD Display
- **Cooking Programs: 8(Expert), 9(Recipes), 10(Steam Assisted), 12(Autocook)**
- **3 Quick & Easy Steam Assisted: 4(Fish), 4(Poultry), 2(White Meat)**
- **Optional Functions: Smart Assist, Delay End, Demo Mode, Independent Timer**
- **Safeties: Child Lock, Auto Stop, Cool Door, Door Lock During Pyrolysis**
- **Product Dimensions (mm): H596 x W592 x D544**
- **Built In Dimensions (mm): H585 x W560 x >D545**

### Installation Diagram BOP7568LX

In mm



Autocook	Circulating Heat	Eco	<b>Quick &amp; Easy Steam Assisted</b> White Meat Fish Poultry
Fan Bottom	Grill Fan	Clean 39'	
Recipes	Keep Warm	Pizza	
Variable Grill	Pyro	Traditional Fan	
Traditional			

## AUTOCOOK

Enjoy the best of French Culinary expertise with Brandt's patented AutoCook\*!

### Choose your dish from one of the 12 proposed:

The oven automatically determines the temperature, ideal cooking mode and time for perfect cooking results, everytime.

Simply select your dish on the control panel, insert your ingredient(s) into the oven and let your oven do the rest!

### Full Colored TFT Screen

Your cooking programme is displayed on a large colored TFT screen, which provides complete ease of use on the dish selected.

\*Available for selected models only.





## BOC7532LX

- 60cm Multifunction+ Oven
- 73L with 6 Shelf Levels
- Catalytic Cleaning
- Omega Grill
- Quattro Pulse Technology Electronic + Knob Control with LCD Display
- Cooking Programs: 5(Expert), 8(Steam Assisted)
- 2 Quick & Easy Steam Assisted: 4(Fish), 4(Poultry)
- Optional Functions: Smart Assist, Delay End, Demo Mode, Independent Timer
- Safeties: Child Lock, Auto Stop
- Product Dimensions (mm): H596 x W592 x D544
- Built In Dimensions (mm): H585 x W560 x ≥D545

Clean	Variable Grill	<b>Quick &amp; Easy Steam Assisted</b>
Circulating Heat	Grill Fan	
Eco	Fish	
		Poultry

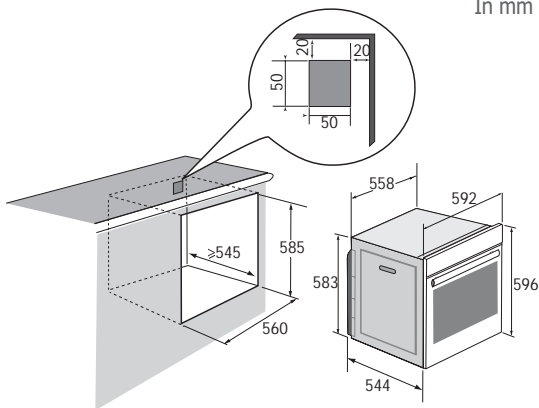
### “ CATALYSIS

Brandt self-cleaning catalytic ovens feature specialised catalytic cleaning program, to automatically degrease your oven after every usage! Grease produced during each cooking cycle is evenly spread over the face of the catalytic enamel, immediately oxidising to disappear over time. Perfect for effortless maintenance of your oven!



### Installation Diagram BOC7532LX

In mm





## BOH7532LX

- **60cm Multifunction+ Oven**
- **73L with 6 Shelf Levels**
- **Hydrolyse Cleaning**
- **Omega Grill**
- Quattro Pulse Technology Electronic + Knob Control with LCD Display
- Cooking Programs: 5(Expert), 8(Steam Assisted)
- 2 Quick & Easy Steam Assisted: 4(Fish), 4(Poultry)
- Optional Functions: Smart Assist, Delay End, Demo Mode, Independent Timer
- Safeties: Child Lock, Auto Stop
- Product Dimensions (mm): H596 x W592 x D544
- Built In Dimensions (mm): H585 x W560 x >D545

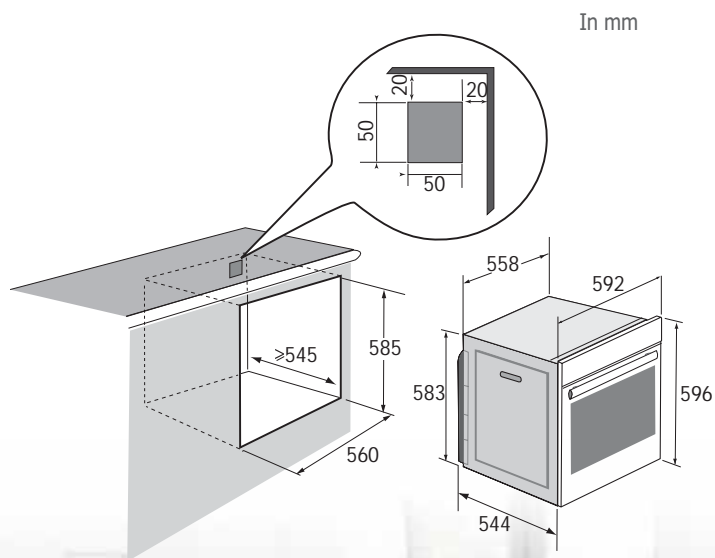
- |                  |                |   |
|------------------|----------------|---|
| Circulating Heat | Variable Grill | <b>Quick &amp; Easy Steam Assisted</b><br>Fish<br>Poultry |
| Eco              | Grill Fan      |   |
| Hydrolyse Clean  | Traditional    |   |

## HYDROLYSE CLEANING

### EFFICIENT CLEANING IN FOUR EASY STEPS

- 01 STEP ONE**  
 Either spray or fill baking tray with 300ml of water.
- 02 STEP TWO**  
 Activate Hydrolyse Clean Function.
- 03 STEP THREE**  
 Function is activated for 35 minutes.
- 04 STEP FOUR**  
 Wipe off oven grease and fat with soft sponge.

### Installation Diagram BOH7532LX





# MICROWAVES



## BEAUTY AND UTILITY IN ONE

### COMFORT

With a clean backlit display, Brandt microwaves provide clear feedback and allow for precise tuning of programmes.

### MEMO ACTIVE FUNCTION

If the same function has been used during the last three cooking sessions, it will be memorized and automatically suggested at the next cooking session.

### DESIGN

The Brandt microwave collection has a perfect harmony of style and substance with a full glass front, a sleek handle and clean lines to level up your kitchen's style quotient.



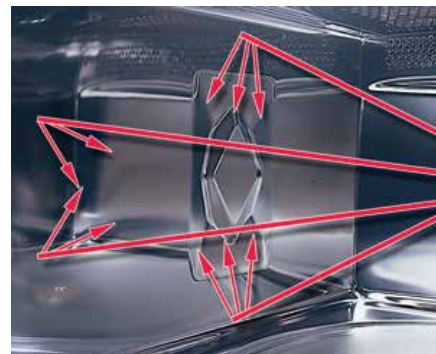
## EXEMPLARY COOKING QUALITY

### CONVECTION

The rotating heat of the combi-microwave ensures you professional results every time. What's more, cooking time can even be reduced by up to 40%!

### AUTO PROGRAMME: PERFECT RESULTS EVERY TIME!

The Auto Programme function allows you to cook with ease! Simply select the food type and indicate its weight: the appliance automatically recommends the appropriate cooking mode and time. The memory function also allows you to save the settings of up to 3 functions for easy cooking!



### QUATTRO® WAVE TECHNOLOGY

The Quattro® Wave Technology ensures optimal diffusion of the waves inside the cavity with 4 waves and a distributor. Your dishes will be thawed, cooked or reheated evenly.

## EASY INSTALLATION

For easy installation, Brandt built-in microwaves have standard cut-out sizes, making it easy for you to switch it up whenever you want. Other models are supplied with mounting kits.





## BKG7153LX

- 45cm Combi Microwave Oven
- 40L with 3 Shelf Levels
- 10 Microwave Levels
- 3 Cooking Modes - Microwave, Combination, Traditional
- Automatic Cooking Guide Program
- Quattro® Wave Technology
- Electronic Touch with LCD Display
- Keep Warm Function
- Cooking Programs: 10(Microwave), 3(Combination), 3(Traditional)
- Automatic Cooking Guide: 15 Dishes
- Optional Functions: Smart Assist, Active Memo', MEMO, Delay End
- Safeties: Keypad Lock, Turntable Stop, Auto Stop
- Product Dimensions (mm): H456 x W592 x D547
- Built In Dimensions (mm): H450 x W560 x >D550

- |                              |                    |
|------------------------------|--------------------|
| 1000W / 100W                 | Circulating Heat   |
| Automatic Defrosting         | Full Power Grill   |
| Cooking Guide                | Grill              |
| Defrosting                   | Medium Power Grill |
| Pulsed Grill                 | Microwave + Fan    |
| Memo 1/2/3 (Memory Function) |                    |

## COOKING GUIDE: THE WINNING COMBINATION

WITH A BEVY OF POSITIONS, YOUR BRANDT MICROWAVE CAN MANAGE ALL TYPES OF COOKING

Equipped with cooking guide programmes that automatically calculate the duration and cooking mode of the dish you want to cook, simply select the type of food and its weight, and let your microwave oven do the rest!

### 15 PRE-PROGRAMMED DISHES:

You must choose a pre-programmed food from the following list:

- |  |  |
|--|--|
| <b>P01:</b> Ready-to-cook frozen food                      | <b>P09:</b> Beef                                   |
| <b>P02:</b> Ready-to-cook chilled food (combined function) | <b>P10:</b> Pork                                   |
| <b>P03:</b> Frozen pizza (combined function)               | <b>P11:</b> Ready-to-cook chilled food (microwave) |
| <b>P04:</b> Frozen pizza (traditional cooking)             | <b>P12:</b> Fish                                   |
| <b>P05:</b> Fresh pizza                                    | <b>P13:</b> Fresh fibrous vegetables               |
| <b>P06:</b> Quiche   | <b>P14:</b> Fresh vegetables                       |
| <b>P07:</b> Savoury tart                                   | <b>P15:</b> Frozen vegetables                      |
| <b>P08:</b> Poultry  |  |



## BMS7120X

- 38cm Solo Microwave
- 26L
- 5 Microwave Levels
- Automatic Cooking Guide Program
- Quattro® Wave Technology
- Electronic Touch with LCD Display
- Keep Warm Function
- Automatic Cooking Guide: 2(Cooking), 4(Defrosting)
- Optional Functions: Smart Assist, Quick Start
- Safeties: Keypad Lock, Turntable Stop, Auto Stop
- Product Dimensions (mm): H390 x W592 x D474
- Built In Dimensions (mm): H380 x W560 x >D550

900W / 350W

Memo 1/2/3 (Memory Function)

Defrosting

Automatic Cooking

Also available in  
BLACK / BMS7120B

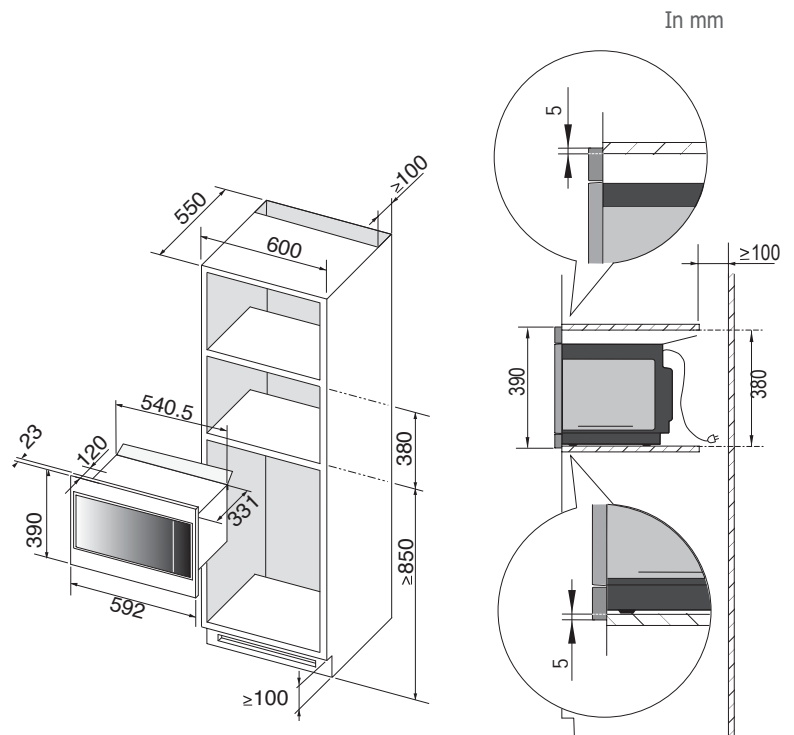


## “ STAINLESS STEEL CAVITY

Brandt microwaves feature a stainless steel cavity to ensure complete food hygiene. The material's light reflecting properties also allow better visibility of your dishes whilst cooking! ”



## Installation Diagram BMS7120X/B



# STEAM OVEN



# STEAM OVEN



## BKV7132LX

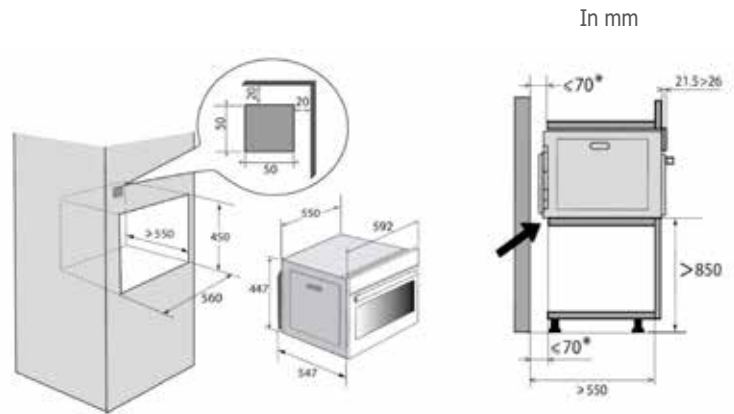
- 45cm Steam Oven
- 29L with 2 Shelf Levels
- 1L Removable Water Tank
- Automatic Steam Programs
- Sterilization Program
- Electronic + Knob Control with LCD Display
- Stainless Steel Cavity
- 11 Cooking Programs
- 10 Temperature Settings: 55 - 100°C
- Optional Functions: Smart Assist, Delay End, Demo Mode, Independent Timer
- Safeties: Child Lock, Auto Steam Evacuation, Auto Stop, No Water Indicator
- Product Dimensions (mm): H456 x W592 x D547
- Built In Dimensions (mm): H450 x W560 x >D550



### “ WATER TANK

It is so easy to install your Brandt Steam Oven! With the removable water tank, no water inlet is required! Just fill up the water tank before use.”

### Installation Diagram BKV7132LX



## STEAM OVEN

Besides steaming and defrosting, the Brandt Steam Oven is also a **multi-purpose appliance that makes healthier cooking easy.**

**Gentle cooking without seasonings** - The gentleness of steam cooking brings out natural flavours of your ingredients whilst preserving vitamins and minerals.

**Reheating without compromising texture** - Heating up food is quick and easy with the Brandt Steam Oven! Steam heats up your dishes without loss of moisture, rehydrating them for a flavourful meal.

**Keeping warm** - Your steam oven keeps your dishes warm for up to an hour after the end of the programmed timing for you to enjoy your dishes on your own time.

**Defrosting without cooking** - Keep your ingredients in perfect condition when you defrost with your Brandt Steam Oven. Precise and gentle steam temperature control ensures that your ingredients are defrosted without kicking off the cooking process.

**Blanching ease** - Preserve the texture and integrity of your ingredients when using the precise temperature control of your Brandt Steam Oven to blanch and prepare them.

# INDUCTION HOBS



# COMPLETE EXPERTISE

## INDUCTION THE BEST OF COOKING

Brandt remains at the forefront of induction technology, having led the shift to induction cooking in the late 1980s. Today, Induction Hobs account for more than 60% of cooking appliance sales!



## A NEW ERA OF INDUCTION TECHNOLOGY

Sleek and trendy, Brandt Induction hobs have a perfect harmony of style and function with unrivalled performance and high heating capacities offered in each piece to meet all your cooking needs.

## UNION OF FUNCTIONALITY AND COMFORT

### PRECISE AND EFFICIENT COOKING

All induction hobs feature electronic controls for simplified usage. Touch sensitive keys and precise heating levels allow you to create perfect dishes, every time.



### COOKING AIDES\*

The UltraBoost function brings you straight to maximum power. Brandt induction hobs allow you to programme your desired cooking duration and will automatically switch off induction hob at the end of the elapsed time. The Recall function allows you to pull up all the settings made (be it power level or timer) for your easy reference!

\*Functions vary from models.



UltraBoost



Recall



Boil



Timer

## IMPECCABLE SAFETY

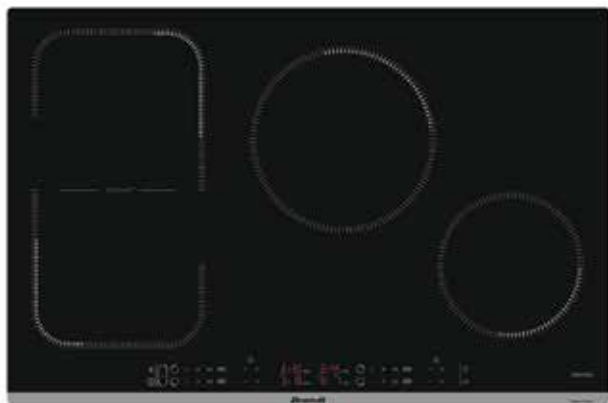
### BRANDT'S 10 SAFETY MEASURES

All of Brandt's induction hobs are held to uncompromising safety standards to ensure the best cooking experience for you and your household.

### 10 SAFETY MEASURES:

- **Residual Heat Indicator** to alert you when zones are still hot (after intensive use).
- **Small Object Detection** to ensure small objects less than 10cm in diameter such as cutlery and cooking utensils are not heated.
- **Anti Overflow** feature that switches the hob off when overflow spills onto control panel or when damp towel is placed over the buttons.
- **Auto-stop System** which will automatically shut off the hob after if left on for overly long periods (depending on power level).
- **Key Lock Control** that can be switched on when the hob is shut off or during cooking.
- **Automatic Saucepan Detection** that ensures the cooking zone only operates when in contact with induction compatible cookware.
- **Temperature Limiter:** This patented Brandt exclusive limits the temperature of the cooking zone to 300°C to prevent the risk of oil ignition.
- **Low Voltage, Connection Error and Over Tension Detection**





### BPI184HUB

- 80cm Width
  - 4 Zones
  - Electronic Touch Sensitive Controls
  - Total Power: 7.4kW
  - Current: 32A
  - Boil and Recall Function
  - Quick Access
  - HoriZone Technology
  - 9 Power Levels + UltraBoost
  - Quick Access
  - 10 Safety Features
  - Vitroceramic Glass Top
- 40cm x 23cm - 3700W / 28cm - 3700W / 16cm - 2400W
  - 99 Minutes Timer
  - Child Lock
  - Product Dimensions (mm): H60 x W770 x D510
  - Built In Dimensions (mm): W750 x D490

## horiZone<sup>tech</sup>



### WELCOME TO THE INFINITE



Brandt showcases its expertise in induction cooking technology with the launch of horiZonetech technology. This zoneless cooking concept empowers you to push culinary creativity to the limits, heightening your cooking experience.

horiZonetech boasts a true zoneless induction cooking surface, being able to accommodate all shapes and sizes of cookware - from rectangular pans to oval dishes.



### 1 FREE, 2 CLASSIC

An ingenious combination of horiZone with a classic cooking surface allows you to express your culinary creativity to the fullest.

## LESS TIME HEATING WITH ULTRABOOST



### THE PERFECT TECHNOLOGY WHEN YOU DON'T HAVE A MINUTE TO WASTE

Brandt innovates and develops UltraBoost function to allow the induction hob to rise up to 35% faster than the classic Boost function.

Fast and powerful, this function significantly improves the boiling time by enabling you to boil 2 litres of water in 4 minutes and 30 seconds, compared to 6-7 minutes using Boost function.

## MULTIPLE CONFIGURATIONS FOR EVERY NEED

Flexible and precise with its adjustable direct access and numerous power levels, horiZone also boasts high heating capacity, with power reaching up to 4000W.



### 1 large zone for:

Several small pans at the same heat level

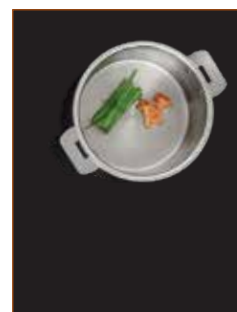
**OR**

1 large dish



### 2 Independent Cooking Zones:

Cooking at the front, at the back or on the 2 simultaneously, at different powers.



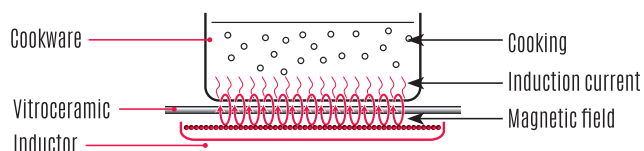
## ECONOMICAL COOKING

Induction is quick and economical. It only takes 4 min 40' to bring 2 litres of water to a boil and induction only consumes 225W, as compared to 8min 20' and 390W for a gas burner\*.

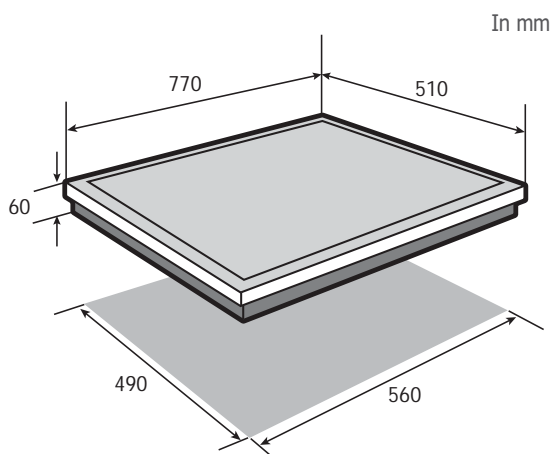
\*2.8 kW induction cooking zone and a 3.5 kW gas burner.

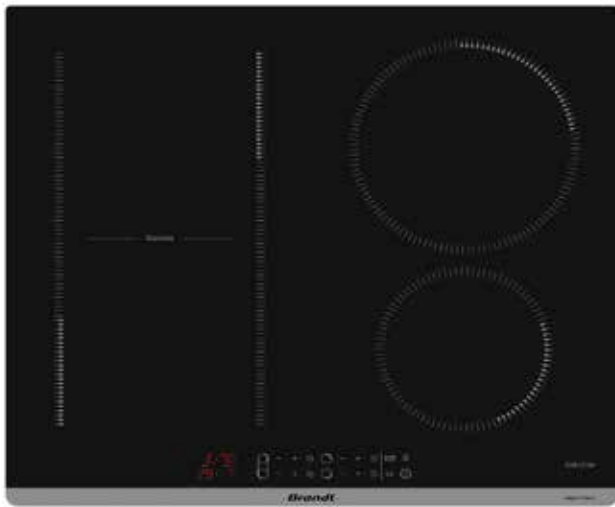
## PRECISION COOKING

With induction technology, the cooking hob generates heat exclusively on contact with cookware through a phenomenon of "induced" current produced in the bottom of the cookware, which instantaneously raises its temperature. This heat is then transferred to the food, which is simmered or seared depending on your settings.



### Installation Diagram BP1184HUB





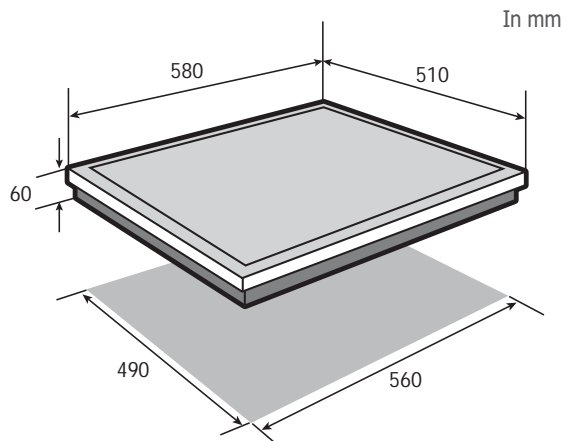
### BPI164DUB

- 60cm Width
- 4 Zones
- Electronic Touch Sensitive Controls
- Total Power: 7.4kW
- Current: 32A
- Boil Function
- 9 Power Levels + UltraBoost
- HoriZone Technology
- Quick Access
- 10 Safety Features
- Vitroceramic Glass Top
- 37cm x 18cm - 4000W / 16cm - 2500W / 21cm - 3600W
- 99 Minutes Timer
- Child Lock
- Product Dimensions (mm): H60 x W580 x D510
- Built In Dimensions (mm): W560 x D490

### “ EVERY SECOND COUNTS

Each zone carries its own timer with a countdown of up to 99 minutes. Cooking stops automatically at the end of programmed duration! ”

### Installation Diagram BPI164DUB



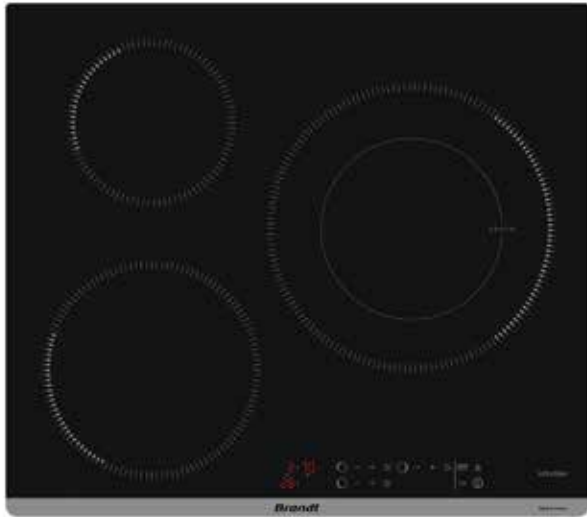
## DUOZONE TECHNOLOGY

### OPTIMIZE FLEXIBILITY

With a surface of 37x18cm, two cooking zones are assembled to offer a bigger one, inspiring you to be a tastemaker in the world of culinary arts.

This DuoZone technology can be either used in two completely autonomous zones or in a large single zone to welcome your oval or large saucepans.

# INDUCTION HOBS 3 ZONES

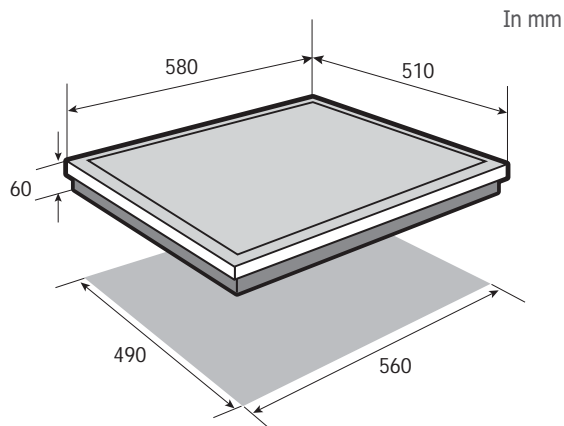


## BPI1638KB

- 60cm Width
- 3 Zones
- Electronic Touch Sensitive Controls
- Total Power: 7.4kW
- Current: 32A
- Boil Function
- 9 Power Levels + UltraBoost
- 10 Safety Features
- Quick Access
- Vitroceramic Glass Top
- 21cm - 3600W / 16cm - 2500W / 28cm - 3600W
- 99 Minutes Timer
- Child Lock
- Product Dimensions (mm): H60 x W580 x D510
- Built In Dimensions (mm): W560 x D490



## Installation Diagram BPI1638KB

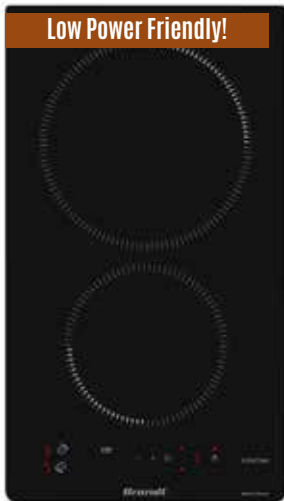


# INDUCTION HOBS 2 ZONES AND DOMINO



## BPI272UBL

- 75cm Width
- 2 Zones
- Electronic Touch Sensitive Controls
- Total Power: 3.6kW
- Current: 15A
- Boil Function
- 9 Power Levels + UltraBoost
- Quick Access
- 10 Safety Features
- Vitroceramic Glass Top
- 21cm - 3600W / 18cm - 3600W
- 99 Minutes Timer
- Child Lock
- Product Dimensions (mm): H60 x W750 x D450
- Built In Dimensions (mm): W665 x D345

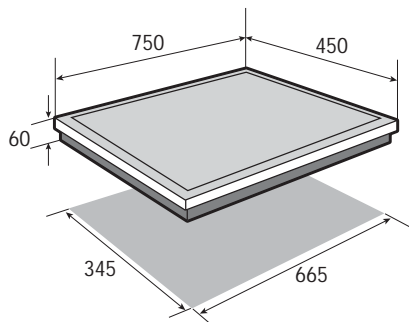


## BPI1621UB

- 30cm Width
- 2 Zones
- Electronic Touch Sensitive Controls
- Total Power: 3.7kW
- Current: 15A
- 9 Power Levels + UltraBoost
- 10 Safety Features
- Quick Access
- Vitroceramic Glass Top
- 16cm - 2800W / 21cm - 3600W
- 99 Minutes Timer
- Child Lock
- Product Dimensions (mm): H60 x W288 x D510
- Built In Dimensions (mm): W265 x D490

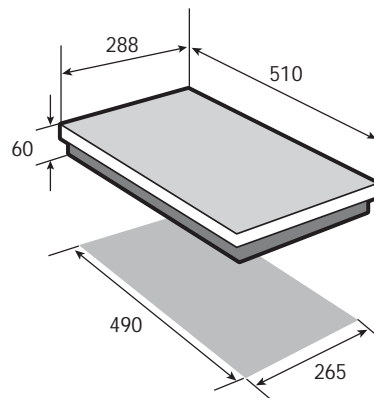
### Installation Diagram BPI6230BL

In mm



### Installation Diagram BPI1621UB

In mm



### EASY MAINTENANCE

Induction leaves the surface around the cooking zone at a low temperature, which prevents spills from sticking to the hob. Just wipe it down with a sponge to make your hob shine.

# HOODS



# A RANGE TO CATER TO ALL YOUR NEEDS



## SUITABLE FOR ALL LAYOUTS AND STYLES

Brandt hoods come in a bevy of designs to suit your kitchen aesthetic. Specially designed to blend into your kitchen furnishings, Brandt hoods allow you to maximise precious kitchen space without compromising efficacy.

All Brandt hoods are customizable to evacuation or recycling mode to suit the needs of your kitchen.

## FLOW AND NOISE LEVEL

Brandt supports the code of conduct promoted by the CECED<sup>(1)</sup> on the statements on air flow and noise level, and guarantees that all data regarding compliant with European standards<sup>(2)</sup>.

<sup>(1)</sup>Committee of European Manufacturers of Household Appliances

<sup>(2)</sup>EN 60704-2-13, EN 60704-3 and EN 61591

## FUNCTIONALITY AND PERFORMANCE

### FOR EFFICIENT REMOVAL OF ODOURS AND FUMES

Choose from 3 to 4 speed settings to suit your cooking needs. Equipped with cassette filters and activated charcoal filters, Brandt hoods ensure optimum grease filtration and odour capture. A filter saturation light (available for selected models) also alerts you when it is necessary to clean or change them.



### EASY USAGE

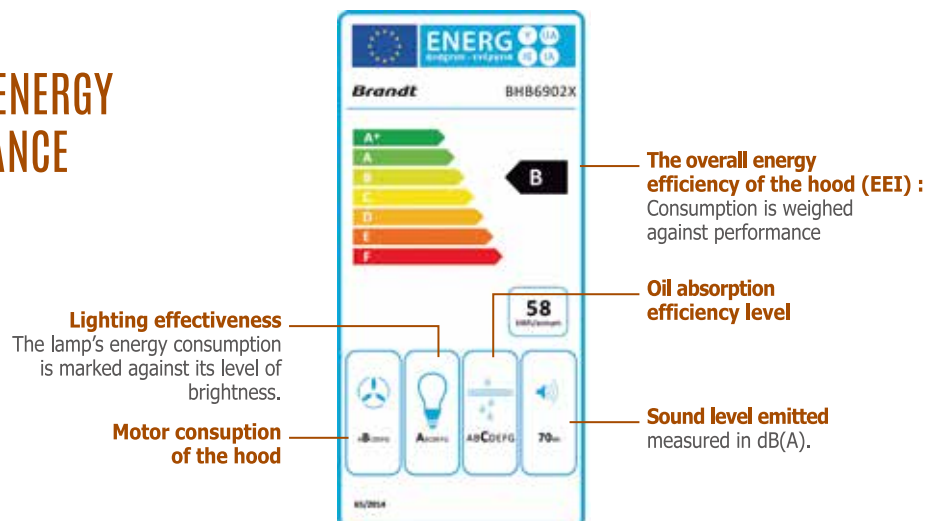
Brandt hoods make it easy to activate your needed programmes! You are guided by the electronic control system with speed display, backlit keys and soft keys for easy usage!



## EUROPEAN ENERGY LABEL : A MARKER OF EXCELLENCE IN ENERGY CONSUMPTION AND PERFORMANCE

### LOOK TO THE « ENERGY LABEL »

Brandt practices absolute transparency with every product carrying the relevant consumption labels for your easy reference.



## BRANDT HELP YOU DO THE SELECTION!

### WHICH HOOD SUITS YOU MOST?

Chose the design and hood type that better blends in with your kitchen. The Brandt's hood range presents new models that are lined up with the current design tendencies and they perfectly integrate with the other electrical appliances for your kitchen.

	<p><b>DECORATIVE (WALL-MOUNT)</b> Designed for installation on the wall, Brandt decorative(wall-mount) hoods are sure to be a subtle statement piece in any kitchen.</p>
	<p><b>ISLAND</b> Designed to be suspended from the ceiling over a central island unit, the sleek aesthetics create a stylish focal point for the kitchen.</p>
	<p><b>SLIMLINE</b> For installation under a overhung kitchen to provide effective removal of odours and cooking fumes.</p>
	<p><b>TELESCOPIC</b> Designed to be flush into a overhung kitchen cabinet, a Telescopic hood extends when required for the best possible performance.</p>

## SEVERAL ESSENTIAL CRITERIA

### POINTS TO BE TAKEN INTO CONSIDERATION WHEN CHOOSING THE HOOD BEST SUITED TO YOUR NEEDS.

- The kitchen size is not, the only factor to consider when choosing the right hood. The following rudimentary calculation will help you determine the adequate suction power for the best results.
- **MEASURE THE VOLUME OF YOUR KITCHEN**  
(e.g.)  $4 \times 3 \times 3 = 36\text{m}^3$
- As a kitchen's ambient air is renewed 10 to 12 times per hour, **multiply the volume by 10** to get adequate power (e.g.  $36 \times 10 = 360\text{m}^3/\text{hr}$ ). As per example, a  $400\text{m}^3/\text{hr}$  evacuation hood would be ideal or sufficient.
- In recycling or if your kitchen is open (and subject to air disturbances), it might be wise to opt for a slightly more powerful hood.

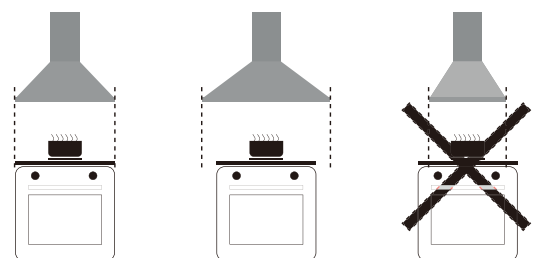


### THE SIZE OF THE HOOD

For optimal suction, the width of the hood must be the same size or larger than the hob.

### COOKING HABITS

To make the right choice, take into account your use of the hood (frequency of cooking, type of dishes (light, oily), number of dishes cooked simultaneously, etc)





## HOODS: THINGS YOU NEED TO KNOW

### GET RID OF ODOURS AND COOKING FUMES WITH BRANDT HOODS

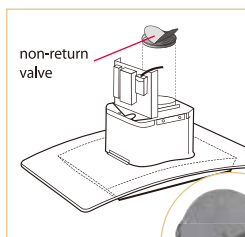
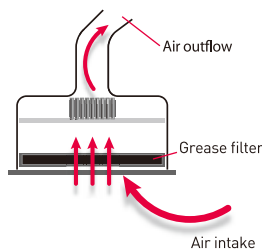
Brandt hoods offer you 2 types of installation that are best suited to your needs and the constraints of your kitchen.

## EXTRACTION

### TWO MODES ARE AVAILABLE TO CATER TO YOUR KITCHEN NEEDS

#### EVACUATION

■ Evacuation mode is ideal because the intake air (charged with odours, steam and smoke) is pushed out. Connect your hood to an outlet to vent the vapours that pass through the cassette grease filter.



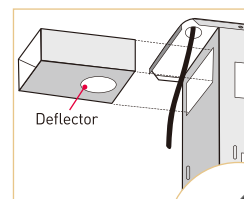
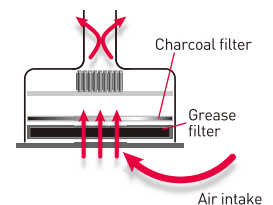
■ Brandt hoods are equipped with a non-return valve, an essential accessory so that the evacuated air is not bounced back inwards by winds.



Brandt hoods are supplied with complete equipments for perfect installation in evacuation or recycling mode.

#### RECYCLING

■ If it's not possible to pipe out air, a recycling installation can clean out the air, ridding it of odours (via a charcoal filter) before diverting the clean air back into your home.



■ Brandt hoods are equipped with a deflector, to return route air through the gills.



## FILTERS & MAINTENANCE



#### ■ METAL GREASE FILTERS

All brandt hoods' grease filters are made of sturdy aluminum and contain a special mesh which captures and locks away the grease from cooking fumes. Once saturated, they can be easily removed and cleaned in a dishwasher or under warm soap water.

#### ■ CARBON FILTERS

Carbon filters are used in recycling mode only and should be removed from any hood outside extraction. They work by drawing cooking fumes and odours into the carbon filter and neutralising the air through carbon particles before recycling clean air back into the kitchen. The carbon filters require replacement periodically, depending on frequency and type of cooking.

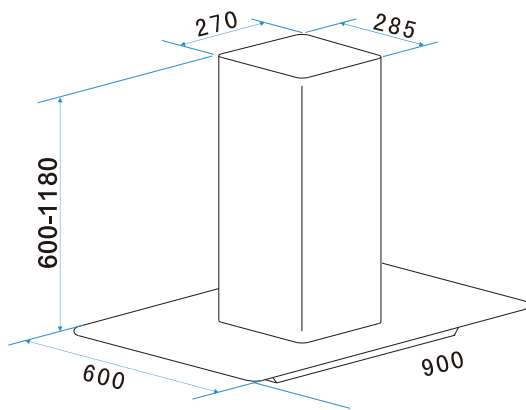


## BHI1944IX

- **90cm Island Hood**
- **Stainless Steel + Glass**
- **Electronic Button Controls**
- **3 Speeds**
- **740m<sup>3</sup>/h**
- Sound Level: 44dBA
- 1 Aluminium Filters (Dishwasher Safe)
- Charcoal Filter Supplied
- LED Lighting
- Delivered In Recycling Mode
- Used For Extraction Or Recycling Mode
- Height Of Chimney (mm): 600 - 1180
- Product Dimensions Without Chimney (mm): H65 x W900 x D500

### Installation Diagram BHI1944IX

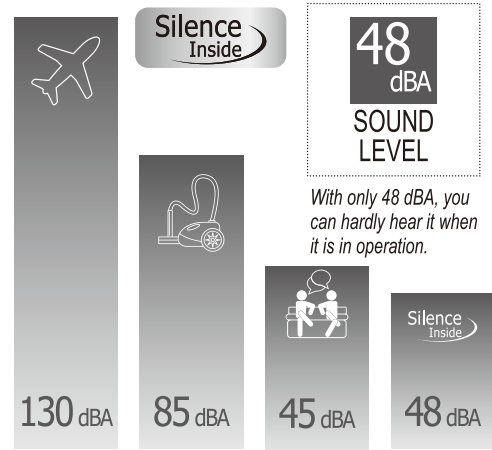
In mm



## BRANDT HOODS WORK SILENTLY

### THE PERFECT BALANCE BETWEEN CAPACITY AND SOUND LEVEL

As shown in the bar graphs, the Brandt Silent Inside extractor hood has obtained excellent results with regard to the draught capacity and the sound level generated.





### AD658XC1

- **90cm Wall Mount Hood**
- **Stainless Steel**
- **Mechanical Controls**
- **4 Speeds**
- **1000m<sup>3</sup>/h**
- Sound Level: 48dBA
- 3 Aluminium Filters (Dishwasher Safe)
- LED Lighting
- Delivered In Recycling Mode
- Used For Extraction Or Recycling Mode
- Height Of Chimney (mm): 514 - 1010
- Product Dimensions Without Chimney (mm): H110 x W900 x D500

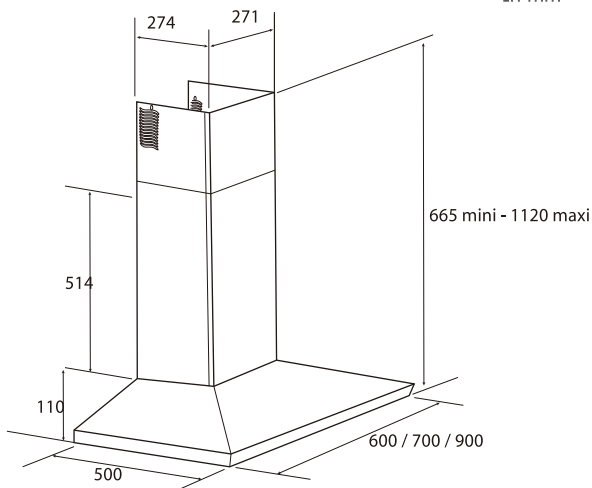


### AD9905B

- **90cm Wall Mount Hood**
- **Black Steel**
- **Electronic Button Controls**
- **3 Speeds**
- **1300m<sup>3</sup>/h**
- Sound Level: 48dBA
- 1 Aluminium Filters (Dishwasher Safe)
- Charcoal Filter Supplied
- LED Lighting
- Delivered In Recycling Mode
- Used For Extraction Or Recycling Mode
- Height Of Chimney (mm): 400 - 780
- Product Dimensions Without Chimney (mm): H60 x W898 x D500

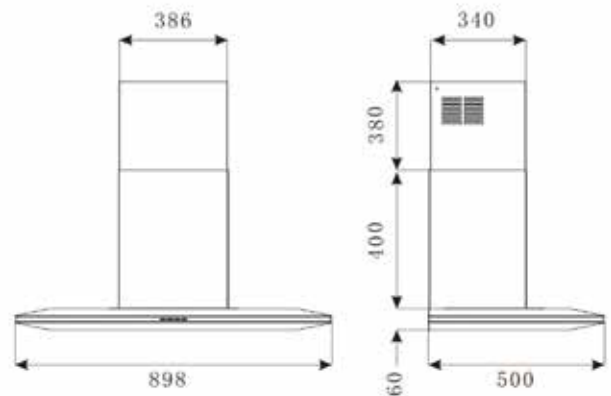
Installation Diagram AD658XC1

In mm



Installation Diagram AD9905B

In mm



# HOODS WALL MOUNT

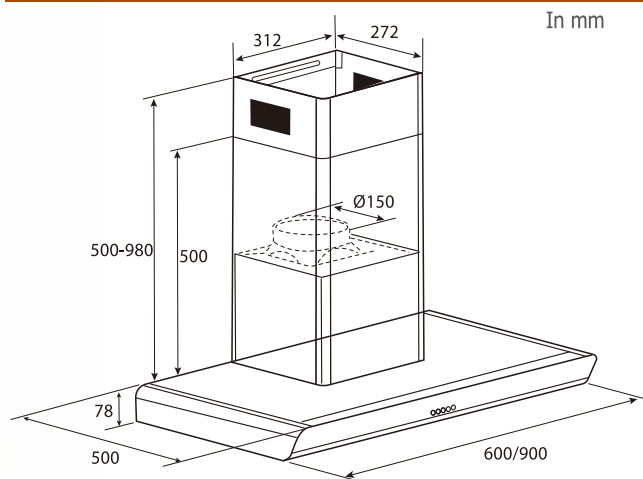


## BHB6902X / BHB6602X

- 90cm Wall Mount Hood
- Stainless Steel
- Mechanical Controls
- 850m<sup>3</sup>/h or 600m<sup>3</sup>/h
- Sound Level: 59dBA
- 2 Aluminium Filters (Dishwasher Safe)
- LED Lighting
- Delivered In Recycling Mode
- Used For Extraction Or Recycling Mode
- Height Of Chimney (mm): 500 - 980
- Product Dimensions Without Chimney (mm): H78 x W900 x D500



## Installation Diagram BHB6902X / BHB6602X



### “ PLUG AND PLAY

One person can mount this hood very easily in 3 steps.



Step 1



Step 2



Step 3



### BHB1944IX

- 90cm Wall Mount Hood
- Stainless Steel + Glass
- Electronic Button Controls
- 3 Speeds
- 800m<sup>3</sup>/h
- Sound Level: 43dBA
- 1 Aluminium Filters (Dishwasher Safe)
- Charcoal Filter Supplied
- LED Lighting
- Delivered In Recycling Mode
- Used For Extraction Or Recycling Mode
- Height Of Chimney (mm): 500 - 980
- Product Dimensions Without Chimney (mm): H65 x W900 x D500

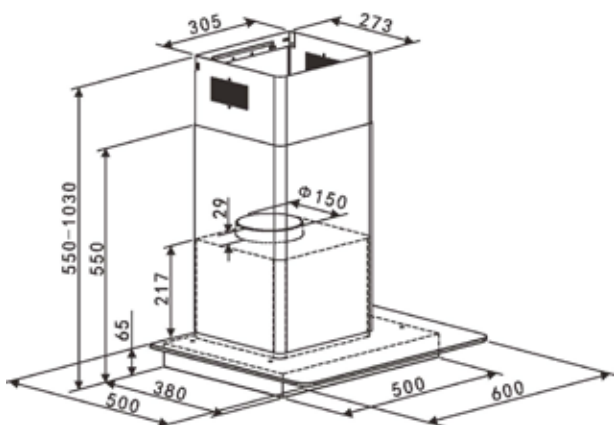


### AD996XC

- 90cm Wall Mount Hood
- Stainless Steel with Glass Control Panel
- Electronic Touch Controls
- 15 Minutes Delay Timer
- 950m<sup>3</sup>/h
- 3 Speeds
- Sound Level: 65dBA
- 3 Stainless Steel Hook Filters (Dishwasher Safe)
- LED Lighting
- Delivered In Recycling Mode
- Used For Extraction Or Recycling Mode
- Height Of Chimney (mm): 470 - 940
- Product Dimensions Without Chimney (mm): H80 x W898 x D500

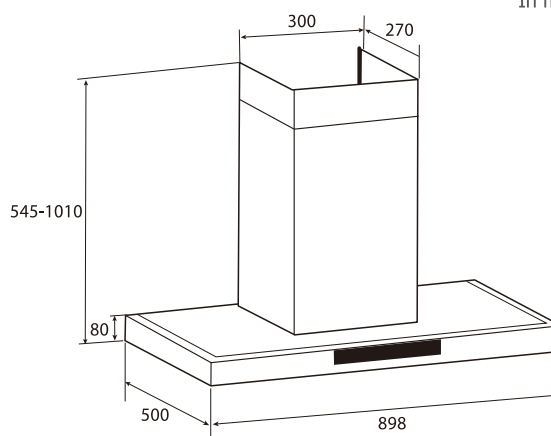
#### Installation Diagram BHB1944IX

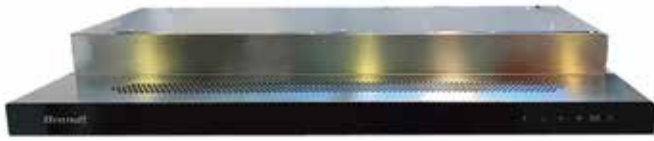
In mm



#### Installation Diagram AD996XC

In mm





### A11790X

- 90cm Semi Integrated Hood
- Stainless Steel with Glass Control Panel
- Electronic Touch Controls
- 15 Minutes Delay Timer
- 825m<sup>3</sup>/h
- 3 Speeds
- Sound Level: 50dBA
- 3 Aluminium Filters (Dishwasher Safe)
- LED Lighting
- Delivered In Recycling Mode
- Used For Extraction Or Recycling Mode
- Product Dimensions (mm): H120 x W900 x D420
- Built In Dimensions (mm): H70 x W860 x D280



### AT1460X

- 60cm Telescopic Hood
- Stainless Steel
- Mechanical Controls
- 2 Speeds
- 340m<sup>3</sup>/h
- Sound Level: 52dBA
- 2 Aluminium Filters (Dishwasher Safe)
- Halogen Lighting
- Delivered In Recycling Mode
- Used For Extraction Or Recycling Mode
- Product Dimensions (mm): H180 x W600 x D435
- Built In Dimensions (mm): H140 x W558 x D280

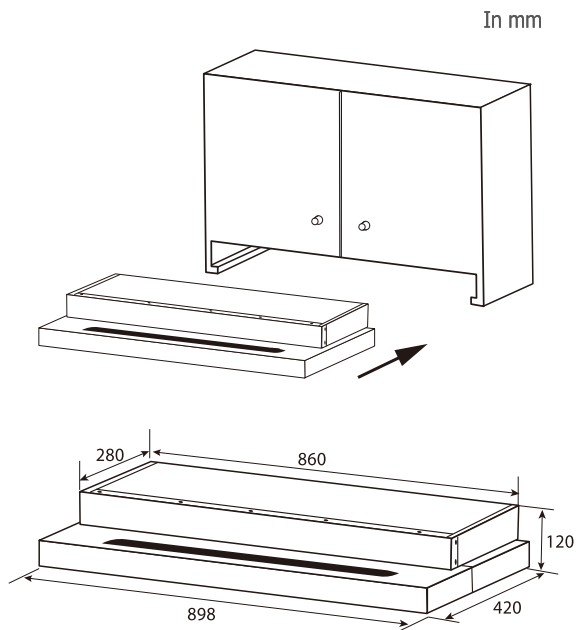


### AT1490X

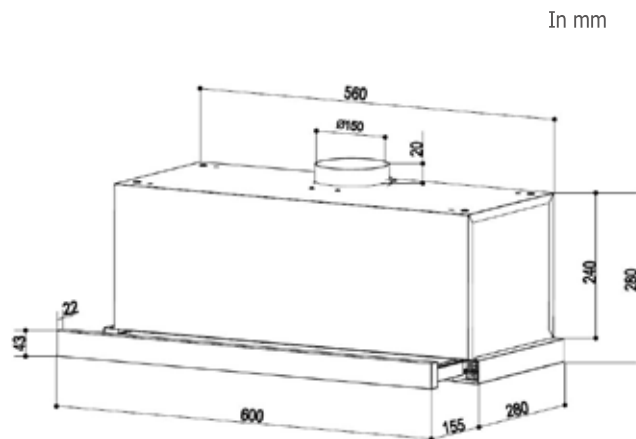
- 90cm Telescopic Hood
- Stainless Steel
- Mechanical Controls
- 2 Speeds
- 1000m<sup>3</sup>/h
- Sound Level: 52dBA
- 2 Aluminium Filters (Dishwasher Safe)
- Halogen Lighting
- Delivered In Recycling Mode
- Used For Extraction Or Recycling Mode
- Product Dimensions (mm): H280 x W900 x D435
- Built In Dimensions (mm): H240 x W858 x D280



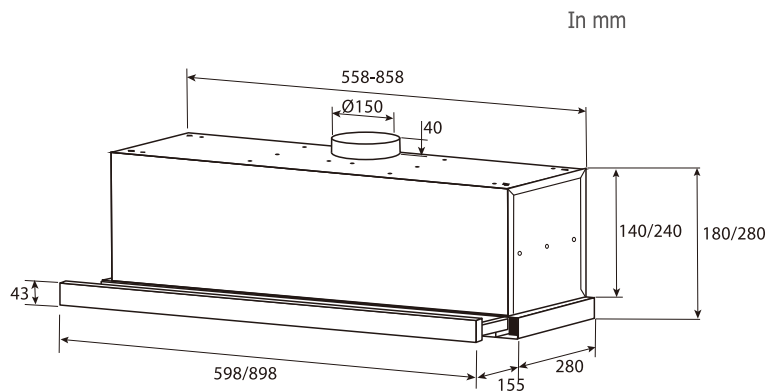
Installation Diagram AT1790X



Installation Diagram AT1460X



Installation Diagram AT1490X



## DIRECTIONS FOR USE

### BETTER USE!

#### FOR GREATER EFFICIENCY OF THE HOOD, QUALITY OF USE IS PARAMOUNT.

- Turn on the hood before the beginning of the cooking.
- Do not close all interior doors during operation of the hood.
- Do not open the windows to air currents.
- Let the hood run 5 to 10 min after cooking.
- Adjust the flow depending on the cooking and the presence of grill or fryer.
- Clean grease filters.
- Change the carbon filter regularly (in the case of a recycling mode).

### TELESCOPIC HOOD

Designed to be installed into upper kitchen cabinets, Telescopic hoods are almost invisible when not in use.

Simply pull out the hood to operate and retract when not in use.





## COOKING

□ OVENS	32
□ MICROWAVE OVENS	33
□ STEAM OVENS	33
□ INDUCTION HOBS	34
□ HOODS	36



# TECHNICAL SPECIFICATIONS

## OVENS

REFERENCES				
Model	BOP7568LX	BOP7537LX	BOC7532LX	BOH7532LX
<b>CHARACTERISTICS</b>				
Type of Oven	Pyrolytic	Pyrolytic	Catalytic	Hydrolyse
Oven Capacity	73L	73L	73L	73L
Type of Control	Electronic Touch	Electronic + Knob	Electronic + Knob	Electronic + Knob
Type of Display	Full Color TFT	LCD	LCD	LCD
Remaining Time Display	Yes	Yes	Yes	Yes
Type of Cleaning	Pyrolytic	Pyrolytic	Catalytic	Hydrolyse
Interior Lighting	Yes	Yes	Yes	Yes
WIFI	-	-	-	-
<b>COOKING FUNCTIONS</b>				
Functions	11	7	6	6
Circulating Heat	Yes	Yes	Yes	Yes
Grill with Fan	Yes	Yes	Yes	Yes
Variable Grill	Yes	Yes	Yes	Yes
Traditional Heat	Yes	Yes	Yes	Yes
Eco	Yes	Yes	Yes	Yes
Traditional Heat with Fan	Yes	-	-	-
Bottom Heat with Fan	Yes	Yes	-	-
Bottom Heat	-	-	-	-
Keep Warm	Yes	-	-	-
Steam Assisted Programs	4(Fish), 4(Poultry), 2(White Meat)	4(Fish), 4(Poultry), 2(White Meat)	4(Fish), 4(Poultry)	4(Fish), 4(Poultry)
Cooking Guide	9 Dishes	-	-	-
Auto Cook	12 Dishes	-	-	-
Flavor Grill	-	-	-	-
Defrost	-	-	-	-
<b>OPTIONS</b>				
Smart Boost	Yes	Yes	-	-
Smart Assist	Yes	Yes	Yes	Yes
Demo Mode	Yes	Yes	-	Yes
Independent Timer	Yes	Yes	Yes	Yes
Delay End	Yes	Yes	Yes	Yes
Sound	Yes	Yes	Yes	Yes
<b>ACCESSORIES</b>				
45mm Drip Tray	1	1	1	1
20mm Pastry Tray	1	1	1	1
Safety Wire Rack	1	1	1	1
Adjustable Telescopic Railing	2	1	-	-
Catalytic Liners	-	-	Yes	-
<b>STRUCTURE</b>				
Material of Door Façade	Glass with Stainless Steel panel	Glass with Stainless Steel trimming	Glass with Stainless Steel trimming	Glass with Stainless Steel trimming
<b>SECURITIES</b>				
Door Lock	Yes	Yes	-	-
Cool Door	Yes	Yes	-	-
Ventilated Door	-	-	Yes	Yes
Soft Close	Yes	-	-	-
Child Lock	Yes	Yes	Yes	Yes
Auto Stop	Yes	Yes	Yes	Yes
<b>CONNECTIONS</b>				
Total Power (W)	3385	3385	2650	2650
Amphere	15	15	13 / 15	13 / 15
Hertz	50 / 60	50 / 60	50 / 60	50 / 60
Plug	Without	Without	Without	Without
Cable Length (cm)	115	115	115	115
<b>PRODUCT DIMENSIONS</b>				
Actual (H x W x D) mm	596 x 592 x 544	596 x 592 x 544	596 x 592 x 544	596 x 592 x 544
Built In (H x W x D) mm	585 x 560 x ≥545	585 x 560 x ≥545	585 x 560 x ≥545	585 x 560 x ≥545
Net Weight (kg)	36.8	36.8	32.1	32.1
Gross Weight (kg)	38.1	38.1	33.5	33.5

# TECHNICAL SPECIFICATIONS

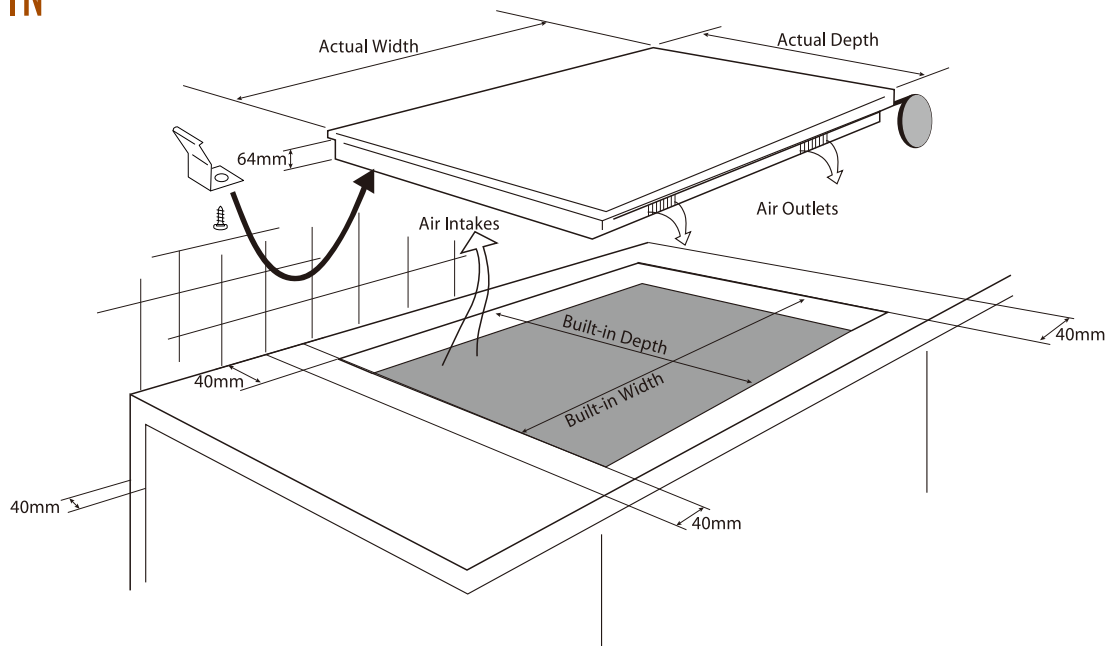
## MICROWAVE OVENS

REFERENCES			
Model	BKC7153LX	BMS7120X	BMS7120B
<b>CHARACTERISTICS</b>			
Type of Microwave	Combi	Solo	Solo
Microwave Capacity	40L	26L	26L
Max. Microwave Power (W)	1000	900	900
Type of Control	Electronic Touch	Electronic Touch	Electronic Touch
Type of Display	LCD	LCD	LCD
Remaining Time Display	Yes	Yes	Yes
Interior Lighting	Yes	Yes	Yes
<b>COOKING FUNCTIONS</b>			
Functions	10	4	4
Microwave	Yes	Yes	Yes
Circulating Heat	Yes	-	-
Grill with Fan	Yes	-	-
Variable Grill	Yes	-	-
Microwave + Circulating Heat	Yes	-	-
Microwave + High Grill	Yes	-	-
Microwave + Low Grill	Yes	-	-
Defrosting	Yes	Yes	Yes
Cooking Guide	15 Dishes	2 Dishes	2 Dishes
Defrosting Guide	3 Programs	4 Programs	4 Programs
<b>OPTIONS</b>			
Keep Warm	Yes	-	-
Smart Assist	Yes	Yes	Yes
MEMO	Yes	-	-
Delay End	Yes	-	-
Independent Timer	Yes	Yes	Yes
Sound	Yes	Yes	Yes
Turn Table stop	Yes	Yes	Yes
<b>ACCESSORIES</b>			
Turn Table	1	1	1
Glass Drip Tray	1	-	-
Wire Rack	-	-	-
<b>STRUCTURE</b>			
Material of Door Façade	Glass with Stainless Steel trimming	Glass with Stainless Steel trimming	Glass with Matt Black trimming
<b>SECURITIES</b>			
Child Lock	Yes	Yes	Yes
Auto Stop	Yes	Yes	Yes
<b>CONNECTIONS</b>			
Amphere	15	13	13
Hertz	50	50	50
Plug	-	European	European
Cable Length (cm)	130	138	138
<b>PRODUCT DIMENSIONS</b>			
Actual (H x W x D) mm	456 x 592 x 547	390 x 592 x 474	390 x 592 x 474
Built In (H x W x D) mm	450 x 560 x ≥550	380 x 560 x ≥550	380 x 560 x ≥550
Net Weight (kg)	38.95	20	20
Gross Weight (kg)	42.15	22	22

## STEAM OVEN

REFERENCES	
Model	BKV7132LX
<b>CHARACTERISTICS</b>	
Type of Oven	Steam
Oven Capacity	29L
Type of Control	Electronic + Knob
Type of Display	LCD
Remaining Time Display	Yes
Type of Cleaning	Manual
Interior Lighting	Yes
<b>COOKING FUNCTIONS</b>	
Functions	11
Vegetables	Yes
Fish	Yes
Meat	Yes
Shellfish	Yes
Prepared Meals	Yes
Cereals	Yes
Yogurt	Yes
Reheating	Yes
Keep Warm	Yes
Defrosting	Yes
Manual	Yes
<b>OPTIONS</b>	
Smart Assist	Yes
Demo Mode	Yes
Independent Timer	Yes
Delay End	Yes
Sound	Yes
<b>ACCESSORIES</b>	
Perforated Drip Tray	1
Drip Tray	1
Safety Wire Rack	1
2nd Steam Tier (KITVAPIX)	Optional (Additional Purchase)
<b>STRUCTURE</b>	
Material of Door Façade	Glass with Stainless Steel trimming
<b>SECURITIES</b>	
Door Lock	-
Ventilated Door	Yes
Child Lock	Yes
Water Tank Indicator	Yes
Auto Stop	Yes
<b>CONNECTIONS</b>	
Total Power (W)	1770
Amphere	13
Hertz	50 / 60
Plug	Without
Cable Length (cm)	105
<b>PRODUCT DIMENSIONS</b>	
Actual (H x W x D) mm	456 x 592 x 547
Built In (H x W x D) mm	450 x 560 x ≥550
Net Weight (kg)	21.55
Gross Weight (kg)	24.45

# INSTALLING YOUR INDUCTION HOB BUILT-IN



## PROPER POSITIONING

Your hob should be positioned so that the plug-in unit is accessible, so you can easily switch it on and off. The distance between the edge of your appliance and the side and rear walls (or partitions) must be at least four centimeters.

Note: Please consider the size of your cookware before installation; ensure ample space allowance between hob and wall. our appliance can be easily integrated above a cabinet, and oven or a built-in-ready household appliance. You must simply ensure that the air intakes (under the hob) and air outlets (under the front of the hob) are clear and free from obstruction.

## BUILDING IN

Follow the diagram above.

Glue the foam seal underneath your appliance by following the outline of the worktop upon which your appliance will rest. This will allow you to achieve a watertight seal with the worktop.

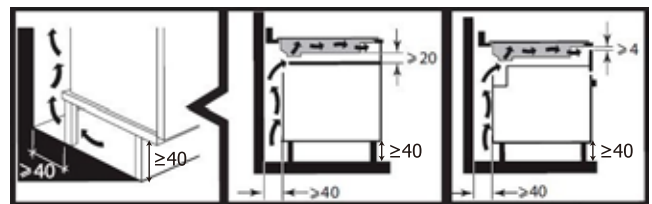
## ELECTRICAL SUPPLY

Most induction hobs require up to 16-32 amps for fast and powerful heating. In the event that high amperage is not available, use the minimum of 15 amps, but note that there will be a "sharing" of power between the different zones. This is normal.

## TIP

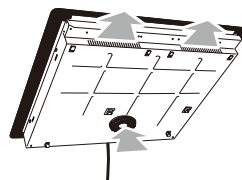
if your oven is located below your hob, the hob's thermal safety measures forbid the simultaneous use of the hob and the pyrolysis program of your oven. Your hob is equipped with an anti-overheating safety device.

This safety feature can be activated, for example, when the hob is installed over an oven that is not sufficiently insulate. If this occurs, a series of small lines appear in the control panel. In this case, we recommend that you increase the ventilation of your hob by creating an opening in the side of your cabinet (8 cm x 5 cm).



## WARNING

You must ensure that the air intakes located under your hob remains clear at all times. For all type of installation, your induction hob needs proper ventilation. Do not install above a drawer or sealed unit. The hob must be able to draw air from its underneath.



# TECHNICAL SPECIFICATIONS

## INDUCTION HOBS

REFERENCES					
Model	BPI184HUB	BPI164DUB	BPI1638KB	BPI272UBL	BPI1621UB
<b>CHARACTERISTICS</b>					
Width	80cm	60cm	60cm	75cm	30cm
Number of Zones	4	4	3	2	2
DuoZone	-	Yes	-	-	-
HoriZone	Yes	Yes	-	-	-
Glass Material					
Type of Control	Electronic Touch Sensitive	Electronic Touch Sensitive	Electronic Touch Sensitive	Electronic Touch Sensitive	Electronic Touch Sensitive
Number of Power Levels	9	9	9	9	9
UltraBoost Function	Yes	Yes	Yes	Yes	Yes
Boost Function	-	-	-	-	-
Boil Function	-	Yes	Yes	Yes	-
Quick Access Function	Yes	Yes	Yes	Yes	Yes
Timer	4 x 99mins	4 x 99mins	3 x 99mins	2 x 99mins	2 x 99mins
<b>ZONES</b>					
Left	40cm x 23cm - 3700W	37cm x 18cm - 4000W	-	21cm - 3600W	-
Right	16cm - 2400W	-	28cm - 3600W	18cm - 3600W	-
Front Right	-	16cm - 2500W	-	-	-
Front Left	-	-	21cm - 3600W	-	-
Rear Right	-	21cm - 3600W	-	-	-
Rear Left	-	-	16cm - 2500W	-	-
Center	28cm - 3700W	-	-	-	-
Front Center	-	-	-	-	16cm - 2500W
Rear Center	-	-	-	-	21cm - 3600W
<b>SECURITIES</b>					
Pack 10 Safety Features	Yes		Yes	Yes	Yes
<b>CONNECTIONS</b>					
Total Power (W)	7400	7400	7400	3600	3700
Amphere	32	32	32	15	15
Hertz	50 / 60	50 / 60	50 / 60	50 / 60	50 / 60
Plug	-	-	-	-	-
Cable Length (cm)	130	130	130	130	130
<b>PRODUCT DIMENSIONS</b>					
Actual (H x W x D) mm	60 x 770 x 510	60 x 580 x 510	60 x 580 x 510	60 x 750 x 450	60 x 288 x 510
Built In (W x D) mm	750 x 490	560 x 490	560 x 490	665 x 345	265 x 490
Net Weight (kg)	13.35	10	10	9.5	5.6
Gross Weight (kg)	14.25	11	11	10.5	6.05

# TECHNICAL SPECIFICATIONS

## HOODS

REFERENCES				
Model	AD658XC1	AD996XC	BHI1944IX	BHB1944IX
CHARACTERISTICS				
Type of Hood	Wall Mounted	Wall Mounted	Island	Wall Mounted
Width	90cm	90cm	90cm	90cm
Aesthetic	Stainless Steel	Stainless Steel with Glass Control Panel	Stainless Steel + Glass	Stainless Steel + Glass
Type of Control	Mechanical Buttons	Electronic Touch	Electronic Buttons	Electronic Buttons
Type of Filters	Aluminium	Stainless Steel	Aluminium	Aluminium
Number of Filters	3	3	2	1
Default Mode of Installation	Recycling	Recycling	Recycling	Recycling
Extraction / Recycling mode	Yes / Yes	Yes / Yes	Yes / Yes	Yes / Yes
PERFORMANCE				
Number of Motors	1	1	1	1
Number of Fans	-	-	1	1
Number of Speeds	4	3	3	3
Maximum Suction Power	1000m <sup>3</sup> /h	950m <sup>3</sup> /h	740m <sup>3</sup> /h	800m <sup>3</sup> /h
Delay Timer	-	15mins	-	-
ACCESSORIES				
Charcoal Filter	3	1	2	1
Flexible Duct	-	Yes	-	-
Adaptor	Yes	Yes	Yes	Yes
Air Deflector (For Recycling)	Yes	Yes	Yes	Yes
SECURITIES				
Auto Stop	Yes	Yes	Yes	Yes
CONNECTIONS				
Total Power (W)	374	407	84	81
Amphere	10	10	10	10
Hertz	50 / 60	50	50	50
Plug	-	-	European	European
Cable Length (cm)	90	120	188	182
PRODUCT DIMENSIONS				
Chimney Height (mm)	514 - 1010	470 - 940	600 - 1180	500 - 980
Actual without Chimney (HxWxD) mm	110 x 900 x 500	80 x 898 x 500	65 x 900 x 600	65 x 900 x 500
Built In (H x W x D) mm	-	-	-	-
Net Weight (kg)	14.5	18	31.5	20
Gross Weight (kg)	15.84	21	37.5	24

# TECHNICAL SPECIFICATIONS

## HOODS

REFERENCES			
Model	AI1790X	AT1460X	AT1490X
<b>CHARACTERISTICS</b>			
Type of Hood	Semi Integrated	Telescopic	Telescopic
Width	90cm	60cm	90cm
Aesthetic	Stainless Steel with Glass Control Panel		
Type of Control	Electronic Touch	Electronic Touch	Electronic Touch
Type of Filters	Aluminium	Aluminium	Aluminium
Number of Filters	3	2	2
Default Mode of Installation	Recycling	Recycling	Recycling
Extraction / Recycling mode	- / Yes	Yes / Yes	Yes / Yes
<b>PERFORMANCE</b>			
Number of Motors	3	1	1
Number of Fans	-	-	-
Number of Speeds	3	2	2
Maximum Suction Power	825m <sup>3</sup> /h	340m <sup>3</sup> /h	1000m <sup>3</sup> /h
Delay Timer	15mins	-	-
<b>ACCESSORIES</b>			
Charcoal Filter	3	2	2
Flexible Duct	-	-	-
Adaptor	-	Yes	Yes
Air Deflector (For Recycling)	Yes	Yes	Yes
<b>SECURITIES</b>			
Auto Stop	Yes	Yes	Yes
<b>CONNECTIONS</b>			
Total Power (W)	257	155	400
Amphere	10	10	10
Hertz	50	50	50
Plug	-	-	-
Cable Length (cm)	130	130	130
<b>PRODUCT DIMENSIONS</b>			
Chimney Height (mm)	-	-	-
Actual without Chimney (H x W x D) mm	120 x 900 x 420	180 x 600 x 435	280 x 900 x 435
Built In (H x W x D) mm	70 x 860 x 280	140 x 558 x 280	240 x 858 x 280
Net Weight (kg)	7	6	7
Gross Weight (kg)	8	7	8

# TECHNICAL SPECIFICATIONS

## HOODS

REFERENCES			
Model	AD9905B	BHB6602X	BHB6902X
CHARACTERISTICS			
Type of Hood	Wall Mounted	Wall Mounted	Wall Mounted
Width	90cm	60cm	90cm
Aesthetic	Black Steel	Stainless Steel	Stainless Steel
Type of Control	Electronic Buttons	Mechanical Buttons	Mechanical Buttons
Type of Filters	Aluminium	Aluminium	Aluminium
Number of Filters	1	2	2
Default Mode of Installation	Recycling	Recycling	Recycling
Extraction / Recycling mode	Yes / Yes	Yes / Yes	Yes / Yes
PERFORMANCE			
Number of Motors	1	2	2
Number of Fans	1	-	-
Number of Speeds	3	3	3
Maximum Suction Power	1300m <sup>3</sup> /h	600m <sup>3</sup> /h	850m <sup>3</sup> /h
Delay Timer	15mins	-	-
ACCESSORIES			
Charcoal Filter	1	1	1
Flexible Duct	-	-	-
Adaptor	-	Yes	Yes
Air Deflector (For Recycling)	Yes	Yes	Yes
SECURITIES			
Auto Stop	Yes	Yes	Yes
CONNECTIONS			
Total Power (W)	225	194	194
Amphere	10	10	10
Hertz	50	50	50
Plug	-	European	European
Cable Length (cm)	150	200	100
PRODUCT DIMENSIONS			
Chimney Height (mm)	400 - 780	500 - 980	500 - 980
Actual without Chimney (H x W x D) mm	H60 x W898 x D500	78 x 600 x 500	78 x 900 x 500
Built In (H x W x D) mm	-	-	-
Net Weight (kg)	23	16	17
Gross Weight (kg)	26.7	18	20